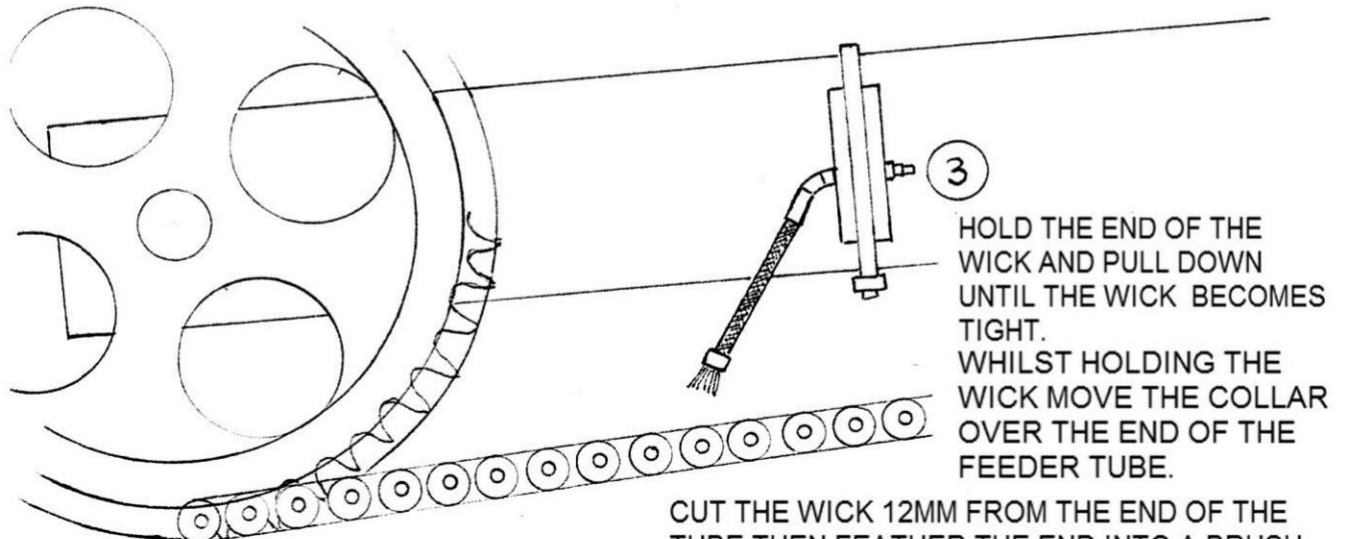
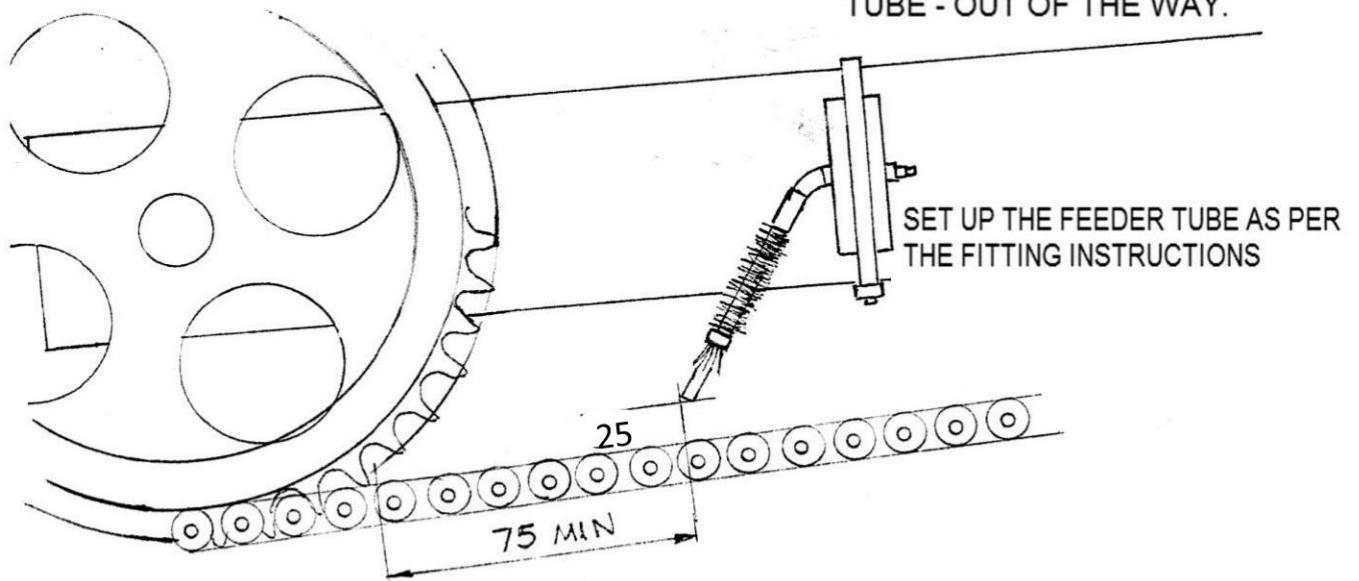
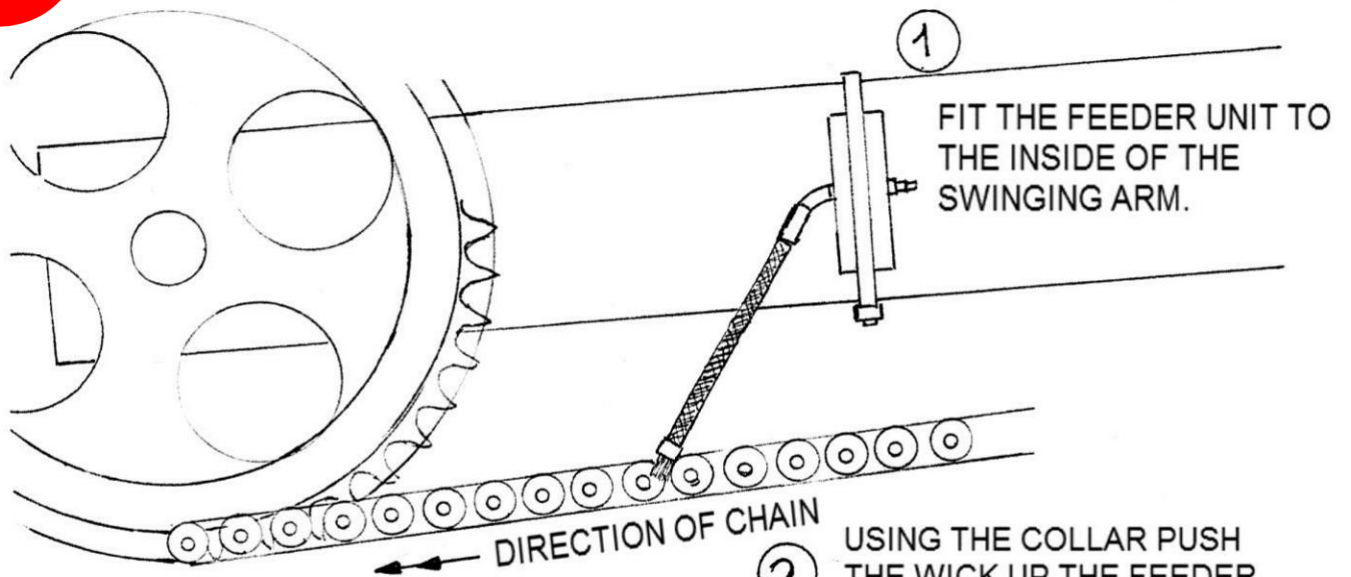




*It's what's on the inside that counts!*

**'WICK' FITTING INSTRUCTIONS**  
LOOKING ON THE INSIDE OF THE SWINGING ARM



CUT THE WICK 12MM FROM THE END OF THE TUBE THEN FEATHER THE END INTO A BRUSH. RUB BETWEEN FINGERS.