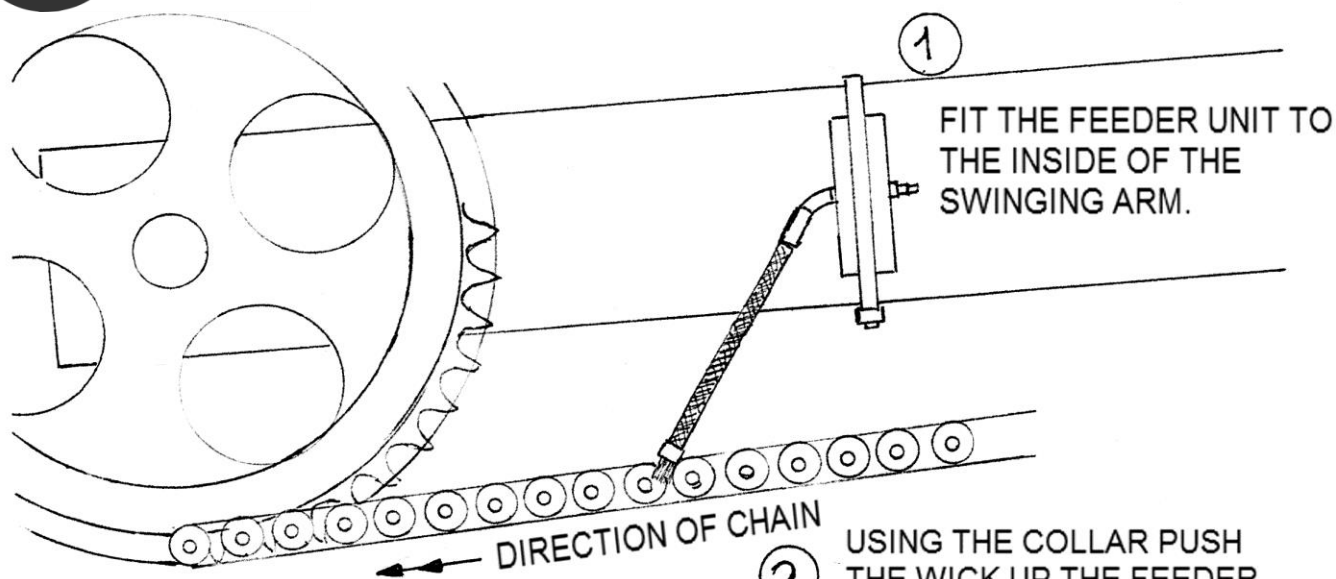


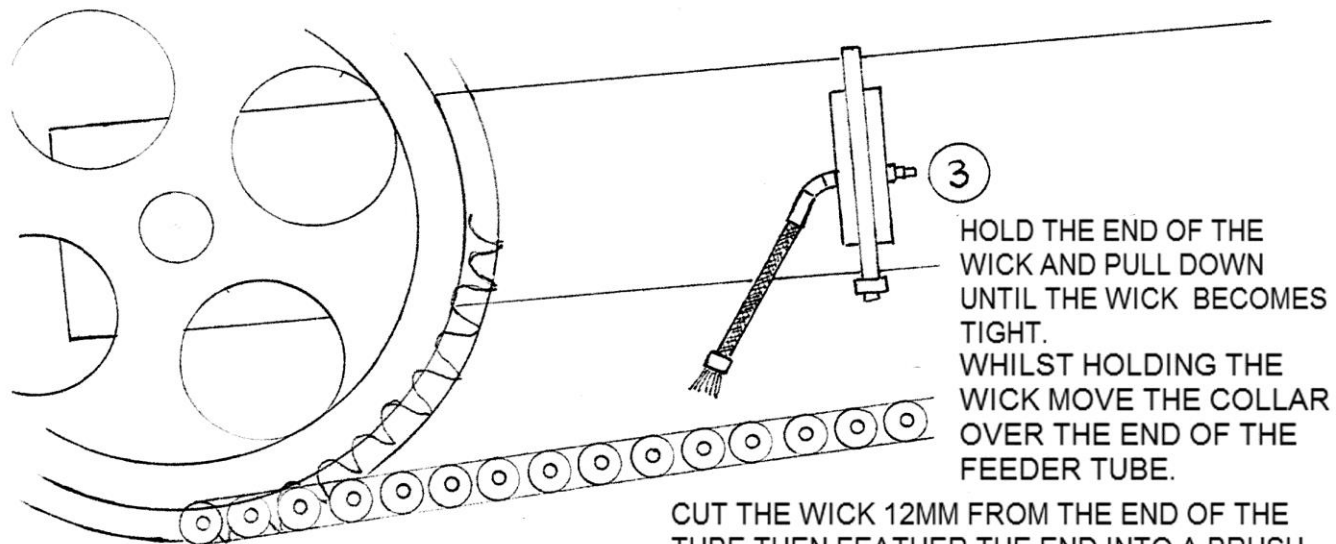
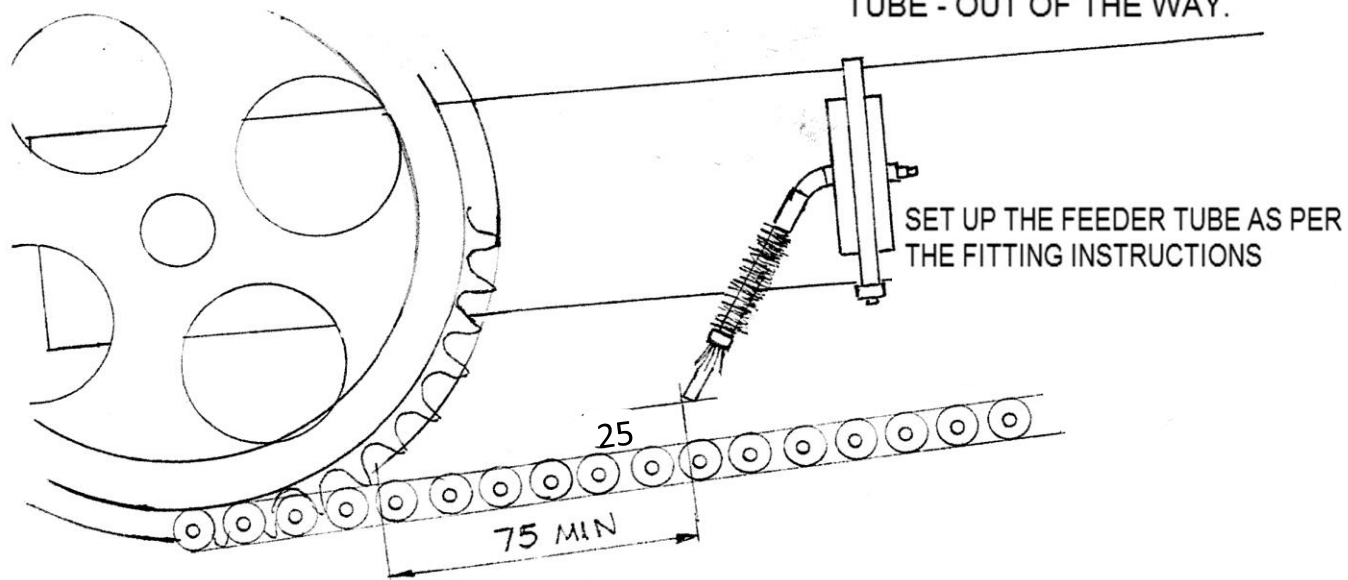


YOUR CHAINS LIFE IS RIDING ON IT ..

'WICK' FITTING INSTRUCTIONS
LOOKING ON THE INSIDE OF THE SWINGING ARM



2 USING THE COLLAR PUSH THE WICK UP THE FEEDER TUBE - OUT OF THE WAY.



CUT THE WICK 12MM FROM THE END OF THE TUBE THEN FEATHER THE END INTO A BRUSH.